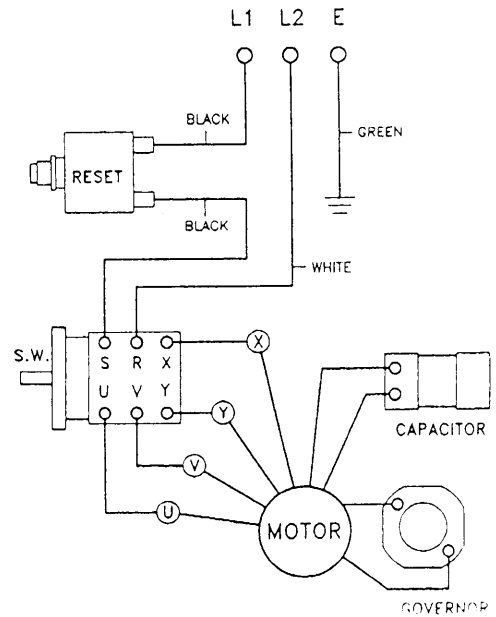




AE-G22S Meat Grinder

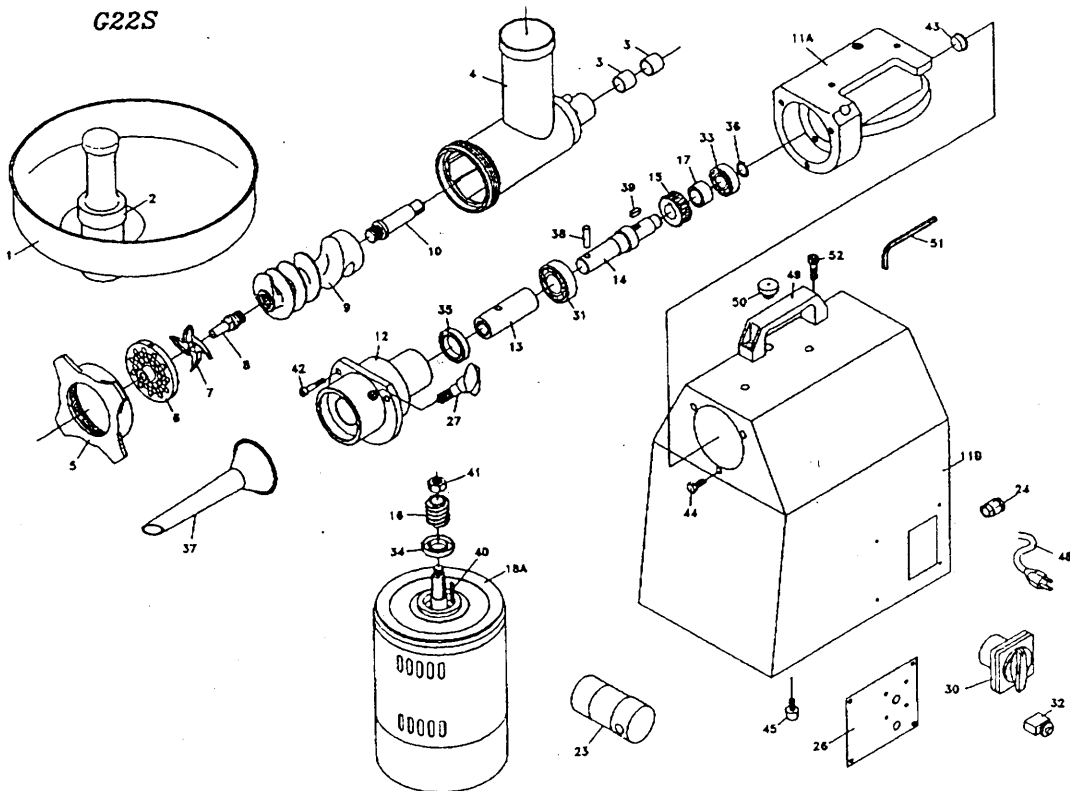
PARTS LIST & ASSEMBLY DIAGRAM

AE-G22S/01	Feeder Pan	AE-G22S/02	Meat Stuffer
AE-G22S/03	Bearing	AE-G22S/04	Grinder Head
AE-G22S/05	Coupling Cover	AE-G22S/06	Pressure Plate
AE-G22S/07	Knife	AE-G22S/08	Holder
AE-G22S/09	Spiral Propeller	AE-G22S/10	Plunger
AE-G22S/11A	Gear Box	AE-G22S/11B	Housing
AE-G22S/12	Attachment Hub	AE-G22S/13	Hub Shaft
AE-G22S/14	Worm Shaft	AE-G22S/15	Worm Gear
AE-G22S/16	Worm	AE-G22S/17	Spacer
AE-G22S/18A	Motor	AE-G22S/23	Capacitor
AE-G22S/24	Cable Tie	AE-G22S/25	
AE-G22S/26	Plate	AE-G22S/27	Thumb Screw
AE-G22S/28	Centrifugal Governor Plate	AE-G22S/29	Centrifugal Governor
AE-G22S/30	F & R Switch	AE-G22S/31	Ball Bearing
AE-G22S/32	Reset	AE-G22S/33	Ball Bearing
AE-G22S/34	Oil Seal	AE-G22S/35	Oil Seal
AE-G22S/36	C-type Snap Ring	AE-G22S/37	Meat Funnel
AE-G22S/38	Pin	AE-G22S/39	Key
AE-G22S/40	Key	AE-G22S/41	Nut
AE-G22S/42	Screw	AE-G22S/43	Oil Cover
AE-G22S/44	Screw	AE-G22S/45	Rubber Foot
AE-G22S/46		AE-G22S/47	
AE-G22S/48	Power Cord & Plug	AE-G22S/49	Handle
AE-G22S/50	Grease Taper	AE-G22S/51	
AE-G22S/52	Screw	AE-G22S/53	Spacer



PARTS LIST

ELECTRICAL DIAGRAM



AMERICAN EAGLE FOOD MACHINERY, INC.

3557 South Halsted Street • Chicago, Illinois 60609-1606

(773)376-0800 • Fax(773)376-2010 • Customer Service (888)390-0800 • Order Hot Line (800)836-5756